

CA902



connectwell
THE RIGHT CONNECTION

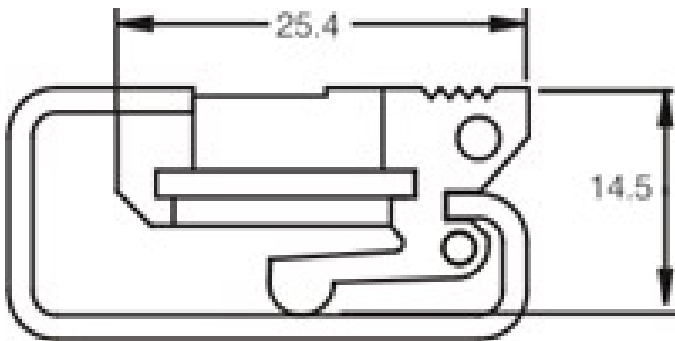
Mounting Base

This is used to assemble components on a Din Rail. The mounting base has 4 holes of $\text{Ø}4.3\text{mm}$ and 2 holes of $\text{Ø}5.5\text{mm}$. CA902 can be used to fasten Din 15 Rail on to the Din 32 Rail.

PRODUCT SPECIFICATION

Height	11.8 mm
--------	---------

CIRCUIT DIAGRAM



ORDERING INFORMATION

CAT. NO.	DESCRIPTION	STD. PACK
CA902	This is mounting base used to assemble component on Din Rail	50