



Common Cathode Diode Module

- Housed in V0 fire retardant grade mounting track.
- Ease of connection with the use of standard screw connection PCB Terminal Blocks.
- Available with individual, common anode and common cathode standard diode configurations.
- Lamp test configurations for DC and AC applications available as standard.
- Mounting options available: DIN Rail mounting & Panel mounting.

TECHNICAL DATA

| | |
|-------------------------------|----------------------------------|
| Ambient Operating Temperature | -20 to 50 °C |
| Mounting Possibility | DIN32 / DIN35 / DIN35-15 / PANEL |
| Housing Material | PVC / V0 Grade |
| Housing Colour | Green |

DIODE SPECIFICATIONS

| | |
|---|--------|
| Diode Type | 1N4007 |
| Maximum Average Forward Rectified Current | 1 A |
| Maximum DC Blocking Voltage (VDC) | 1000 V |
| Maximum DC Reverse Current at Rated DC Blocking Voltage | 500 µA |
| Maximum Instantaneous Forward Voltage at 1A DC | 1.1 V |
| Maximum Recurrent Peak Reverse Voltage | 1000 V |

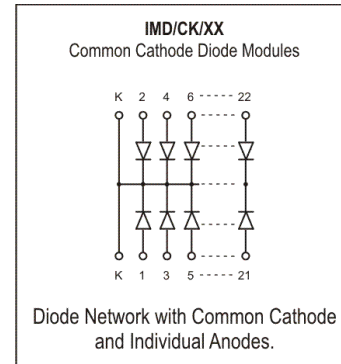
CONNECTION SPECIFICATIONS

| | |
|-----------------------|---------------------|
| Type of Connection | Screw Connection |
| Min. Wire Size | 0.5 mm ² |
| Max. Wire Size | 2.5 mm ² |
| Min. Wire Size(AWG) | 30 AWG |
| Max. Wire Size(AWG) | 14 AWG |
| Wire Stripping Length | 8.3 mm |
| Torque | 0.5 Nm |
| Torque | 4.5 lb-in |

ORDERING INFORMATION

| CAT. NO. | DESCRIPTION | NO. OF CHN. | DIM. DET. | STD. PACK |
|-----------|---|-------------|--------------|-----------|
| IMD/CK/6 | 6 Channel Common Cathode Diode Module Rail Mount | 6 | 32 X 88 X 51 | 1 |
| IMD/CK/14 | 14 Channel Common Cathode Diode Module Rail Mount | 14 | 53 X 88 X 51 | 1 |
| IMD/CK/22 | 22 Channel Common Cathode Diode Module Rail Mount | 22 | 73 X 88 X 51 | 1 |

CIRCUIT DIAGRAM



NOTES

- * Module Lengths mentioned are for RAIL Mounting option only. The lengths may vary for PANEL Mounting
- ** PANEL Mounting relay modules are available on request. Please use the suffix -P with the cat. no. for ordering.