

# CDR20



## 20 A Redundant Module Din Rail Mountable

- 100% decoupling of power supply units connected in parallel
- Suitable for Redundant operation of 12/24V System
- Relay contact signal output and LED indicator
- DIN Rail Mounting.
- LED indication
- Reverse polarity Protection

### GENERAL SPECIFICATION

Ambient Temperature Range (Operational at Vi norm)	-25 to +70 deg.C (>55 Deg C derating)
Ambient Temperature Range (Storage)	-40 to +85 deg.C
Relative Humidity Range	20 to 93 %RH (@25 Deg C , No condensation)
Cooling	Free Air Convection
Pollution Degree	2

### ORDERING INFORMATION

Cat. No.	CDR20
Output Voltage	12/24 V
Output Current	20 A
Output Wattage	480 W
Input Voltage Range	10.2 - 30VDC
Standard Packing Qty	1

### PHYSICAL SPECIFICATIONS

Dimensions (H x W x D)	125.5 x 40 x 124 mm
Weight	313 g
Case Material	Metal
Packing	Corrugated Box

### APPROVALS



### ACCESSORIES

IMAGES	CAT. NO.	DESCRIPTION	STD. PACK
	CA701-1M	Din 35 Rail unslotted 1 meter	50
	CA701-2M	Din 35 Rail unslotted 2 meter	50
	CA701-2M-S	Din 35 Rail slotted 2 meter	50
	CA701-1M-S	Din 35 Rail slotted 1 meter	50
	CA701-15-1M	Din 35 Rail 15 deep unslotted 1 meter	50
	CA701-15-1M-S	Din 35 Rail 15 deep slotted 1 meter	50
	CA701-15-2M	Din 35 Rail 15 deep unslotted 2 meter	50
	CA701-15-2M-S	Din 35 Rail 15 deep slotted 2 meter	50

### ACCESSORIES

IMAGES	CAT. NO.	DESCRIPTION	STD. PACK
	CA202	End Clamp in Polyamide suitable for Din 35 / Din 35-15 Rails	25
	CA702	End Clamp in Polyamide 66 suitable for Din 32 / Din 35 / Din 35-15 Rails	50

### STANDARD USED FOR TESTING

SAFETY STANDARDS	EN62368-1
Electrostatic Discharge	IEC 61000-4-2
Radiated Susceptibility	IEC 61000-4-3
Electrical Fast Transient / Burst	IEC 61000-4-4
Surge	IEC 61000-4-5
Conducted Susceptibility	IEC 61000-4-6
Power Frequency Magnetic Field	IEC61000-4-8
Voltage Dips & Interruption	IEC61000-4-11
EMC Emission	CISPR32, IEC 61000-3-2

### INPUT SPECIFICATIONS

Rated Input Current (Vi nom)	20 A
Rated Input Voltage	12 VDC / 24VDC
DC Input Voltage Range	10.2 to 30VDC
No. of inputs	2

### OUTPUT SPECIFICATIONS

Output Voltage	12/24 VDC
Output Current	20 A
DC On Indicator	Green Indicator
Output Voltage Drop: Vin - Vout	0.7 V

### CONTROL AND PROTECTION SPECIFICATIONS

Input fuse	NA
Internal surge voltage protection	Varistor
Internal surge voltage protection: IEC61000-4-5	Yes
Power Ready	Relay & LED Indication
Degree of protection	IP20

# CDR20



### PIN CONFIGURATION

PIN NO	POSITION	DESIGNATION	DESCRIPTION
1	OUT	RDY	Output terminal - Ready Contact (COM)
2	OUT	RDY	Output terminal - Ready Contact (NO)
3	OUT	+	Output Terminal (12/24VDC)
4	OUT	+	Output Terminal (12/24 VDC)
5	IN	GND	Input terminals (0 VDC)
6	IN	IN2+	Input Terminal (Input 2)
7	IN	IN1+	Input Terminal (Input 1)

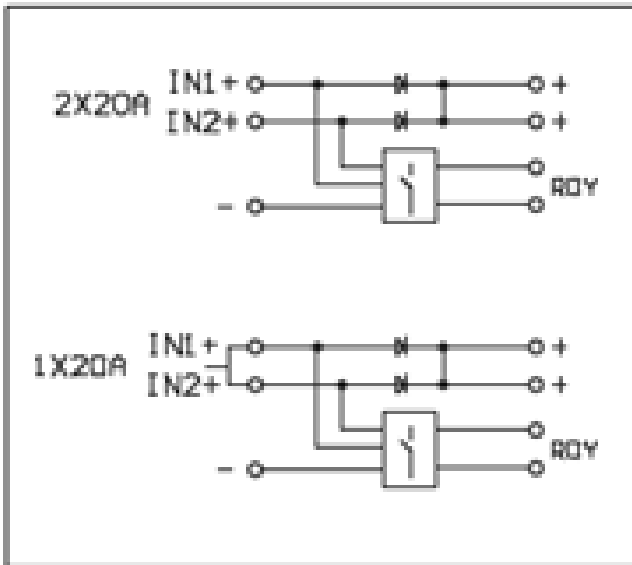
### CONNECTION DETAILS

Screw terminal: AWG 18 - 12 / 1.5 - 4 sq.mm. , Torque - 0.6 N-M, Stripping Length - 8 mm

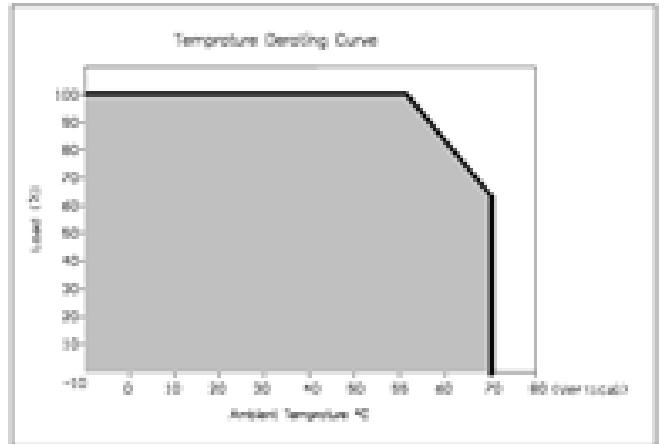
### INSTALLATION DETAILS

Ventilation / Cooling Normal convection. 5 mm free space from top and bottom.

### CIRCUIT SCHEMATIC



### DERATING CURVE



### DIMENSIONAL DIAGRAM

