

# CSER1- 230A240A2XD



**connectwell**  
THE RIGHT CONNECTION

## Slim SSR Module 230VAC IN 240 VAC OUT 2 Amp

- '-Compact 6.0mm thin design
- '-Variety of Operating Voltages.
- '-Low Drive Current (less than 21 mA)
- '-2500V Dielectric Strength
- '-LED Status Indicator
- '-Photo Isolation
- '-Zero Cross Turn-On (AC Output)
- '-Bipolar Transistor / MOSFET Output (DC Output)
- '-TTL and CMOS compatible
- '-For interface application between PLC and external loads
- '-DIN Rail mounting
- '- Easy to replace pluggable SSR

### TECHNICAL DATA

Bussing Possibility	By comb type shorting links.
Supply Voltage Indication	3mm Green LED
Ambient Operating Temperature	-40to+55 °C
Mounting Possibility	DIN 35/DIN 35-15 Rail
Housing Material	PA6,6
Housing Colour	Grey
Input Polarity Protection	Bridge Rectifier
Switching device	Solid State Relay

### RELAY INPUT / COIL SPECIFICATIONS

Nominal Operating Voltage	230 VAC
Nominal Input Current	10.5 mA
Maximum Operating Voltage	242 VAC
Must Operate Voltage	37 VAC
Must Release Voltage	26 VAC

### RELAY OUTPUT/CONTACT SPECIFICATIONS

Contact Type	SPST- NO
Load Current Range	0.1 - 2 A
Load Voltage Range	48 - 280 VAC
Maximum On State Voltage Drop	1.2 VAC
Maximum Transient Voltage	600 Vpk
Maximum Leakage Current	1.5 mA
Maximum Surge Current	80 A
Turn-Off Time	1/2 cycle +1ms
Turn-On Time (0 Cross Turn On)	1/2 cycle + 1ms

### CONNECTION SPECIFICATIONS

Type of Connection	Spring Clamp
Wire Stripping Length	10 mm
Min. Wire Size - Stranded(mm2)	0.2 mm <sup>2</sup>

### CONNECTION SPECIFICATIONS

Max. Wire Size - Stranded(mm2)	2.5 mm <sup>2</sup>
Min. Wire Size - Stranded(AWG)	24 AWG
Max. Wire Size - Stranded(AWG)	12 AWG
Min. Wire Size - Solid	0.2 mm <sup>2</sup>
Max. Wire Size - Solid	2.5 mm <sup>2</sup>
Min. Wire Size - Solid(AWG)	24 AWG
Max. Wire Size - Solid(AWG)	12 AWG

### ORDERING INFORMATION

CAT. NO.	DESCRIPTION	NO. OF CHN.	DIM. DET.	STD. PACK
CSER1-230A240A2XD	Single Channel 230VAC IN 240VAC OUT 2 Amp Slim SSR Module with Pluggable Relay Rail Mount	1	6 x 94.5 x 96	10

### ACCESSORIES

IMAGES	CAT. NO.	DESCRIPTION	STD. PACK
	CA701-1M	Din 35 Rail unslotted 1 meter	50
	CA701-2M	Din 35 Rail unslotted 2 meter	50
	CA701-2M-S	Din 35 Rail slotted 2 meter	50
	CA701-1M-S	Din 35 Rail slotted 1 meter	50
	CA701-15-1M	Din 35 Rail 15 deep unslotted 1 meter	50
	CA701-15-1M-S	Din 35 Rail 15 deep slotted 1 meter	50
	CA701-15-2M	Din 35 Rail 15 deep unslotted 2 meter	50
	CA701-15-2M-S	Din 35 Rail 15 deep slotted 2 meter	50
	SCS0.5/3	Electricians Screwdriver for slotted screws	10
	CA509/K6	Blank Marking Tag	100

CSER1-  
230A240A2XD



**connectwell**  
THE RIGHT CONNECTION

**ACCESSORIES**

**NOTES**

IMAGES	CAT. NO.	DESCRIPTION	STD. PACK
	JX4/2	Shorting Link for 6 mm wide TB	100
	JX4/3	Shorting Link for 6 mm wide TB	50
	JX4/4	Shorting Link for 6 mm wide TB	50
	JX4/5	Shorting Link for 6 mm wide TB	50
	JX4/8	Shorting Link for 6 mm wide TB	10
	JX4/10	Shorting Link for 6 mm wide TB	10
	JX4/16	Shorting Link for 6 mm wide TB	10

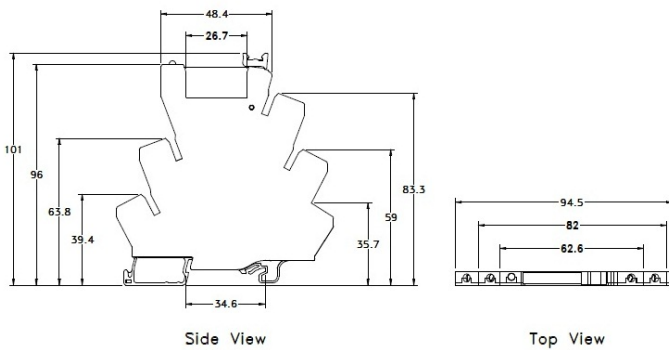
Protection Degree:IP20  
Pollution Degree:2  
Over voltage/Surge voltage category-III  
Relay operating time ≤ 8 (msec)  
Relay release time ≤ 10(msec)

Dielectric Strength:  
1)Between contacts and coil- 4kV AC (50Hz, 1min)  
2)Between contact sets- 2kV AC(50Hz, 1min)  
3)Between open contacts-1kV AC(50Hz, 1min)  
4)Between Live parts /DIN rail-2kV AC (50Hz, 1min)

Insulation resistance: 1000M ohm@500VDC

Connection wires/ Conductors: 60/75 degC Copper conductor

**PRODUCT DRAWING**



**CIRCUIT DIAGRAM**

