

# CSER1-4860U240A2XD



## Slim SSR Module 48-60VUC IN 240 VAC OUT 2 Amp

- '-Compact 6.0mm thin design
- '-Variety of Operating Voltages.
- '-Low Drive Current (less than 21 mA)
- '-2500V Dielectric Strength
- '-LED Status Indicator
- '-Photo Isolation
- '-Zero Cross Turn-On (AC Output)
- '-Bipolar Transistor / MOSFET Output (DC Output)
- '-TTL and CMOS compatible
- '-For interface application between PLC and external loads
- '-DIN Rail mounting
- '- Easy to replace pluggable SSR

### TECHNICAL DATA

|                               |                              |
|-------------------------------|------------------------------|
| Bussing Possibility           | By comb type shorting links. |
| Supply Voltage Indication     | 3mm Green LED                |
| Ambient Operating Temperature | -40to+55 °C                  |
| Mounting Possibility          | DIN 35/DIN 35-15 Rail        |
| Housing Material              | PA6,6                        |
| Housing Colour                | Grey                         |
| Input Polarity Protection     | Bridge Rectifier             |
| Switching device              | Solid State Relay            |

### RELAY INPUT / COIL SPECIFICATIONS

|                           |        |
|---------------------------|--------|
| Nominal Operating Voltage | 48 V   |
| Nominal Input Current     | 7.5 A  |
| Maximum Operating Voltage | 66 V   |
| Must Operate Voltage      | 22.5 V |
| Must Release Voltage      | 14 V   |

### RELAY OUTPUT/CONTACT SPECIFICATIONS

|                                |              |
|--------------------------------|--------------|
| Contact Type                   | SPST- NO     |
| Load Current Range             | 0.1 - 2 A    |
| Load Voltage Range             | 48 - 280 VAC |
| Maximum On State Voltage Drop  | 1.2 VDC      |
| Maximum Transient Voltage      | 600 Vpk      |
| Maximum Leakage Current        | 1.5 mA       |
| Maximum Surge Current          | 80 A         |
| Turn-Off Time                  | 1000 µS      |
| Turn-On Time (0 Cross Turn On) | 100 µS       |

### CONNECTION SPECIFICATIONS

|                                |                     |
|--------------------------------|---------------------|
| Type of Connection             | Spring Clamp        |
| Wire Stripping Length          | 10 mm               |
| Min. Wire Size - Stranded(mm2) | 0.2 mm <sup>2</sup> |

### CONNECTION SPECIFICATIONS

|                                |                     |
|--------------------------------|---------------------|
| Max. Wire Size - Stranded(mm2) | 2.5 mm <sup>2</sup> |
| Min. Wire Size - Stranded(AWG) | 24 AWG              |
| Max. Wire Size - Stranded(AWG) | 12 AWG              |
| Min. Wire Size - Solid         | 0.2 mm <sup>2</sup> |
| Max. Wire Size - Solid         | 2.5 mm <sup>2</sup> |
| Min. Wire Size - Solid(AWG)    | 24 AWG              |
| Max. Wire Size - Solid(AWG)    | 12 AWG              |

### ORDERING INFORMATION

| CAT. NO.           | DESCRIPTION   | NO. OF CHN. | DIM. DET.     | STD. PACK |
|--------------------|---|-------------|---------------|-----------|
| CSER1-4860U240A2YD | Single Channel 48-60VUC IN 240VAC OUT 2 Amp Slim SSR Module with Pluggable Relay Rail Mount | 1           | 6 x 94.5 x 96 | 10        |

### ACCESSORIES

| IMAGES | CAT. NO.      | DESCRIPTION                                 | STD. PACK |
|--------|---------------|---|-----------|
|        | CA701-1M      | Din 35 Rail unslotted 1 meter               | 50        |
|        | CA701-2M      | Din 35 Rail unslotted 2 meter               | 50        |
|        | CA701-2M-S    | Din 35 Rail slotted 2 meter                 | 50        |
|        | CA701-1M-S    | Din 35 Rail slotted 1 meter                 | 50        |
|        | CA701-15-1M   | Din 35 Rail 15 deep unslotted 1 meter       | 50        |
|        | CA701-15-1M-S | Din 35 Rail 15 deep slotted 1 meter         | 50        |
|        | CA701-15-2M   | Din 35 Rail 15 deep unslotted 2 meter       | 50        |
|        | CA701-15-2M-S | Din 35 Rail 15 deep slotted 2 meter         | 50        |
|        | SCS0.5/3      | Electricians Screwdriver for slotted screws | 10        |
|        | CA509/K6      | Blank Marking Tag                           | 100       |

CSER1-  
4860U240A2X  
D



**connectwell**  
THE RIGHT CONNECTION

**ACCESSORIES**

**NOTES**

| IMAGES | CAT. NO. | DESCRIPTION                    | STD. PACK |
|--------|----------|--------------------------------|-----------|
|        | JX4/2    | Shorting Link for 6 mm wide TB | 100       |
|        | JX4/3    | Shorting Link for 6 mm wide TB | 50        |
|        | JX4/4    | Shorting Link for 6 mm wide TB | 50        |
|        | JX4/5    | Shorting Link for 6 mm wide TB | 50        |
|        | JX4/8    | Shorting Link for 6 mm wide TB | 10        |
|        | JX4/10   | Shorting Link for 6 mm wide TB | 10        |
|        | JX4/16   | Shorting Link for 6 mm wide TB | 10        |

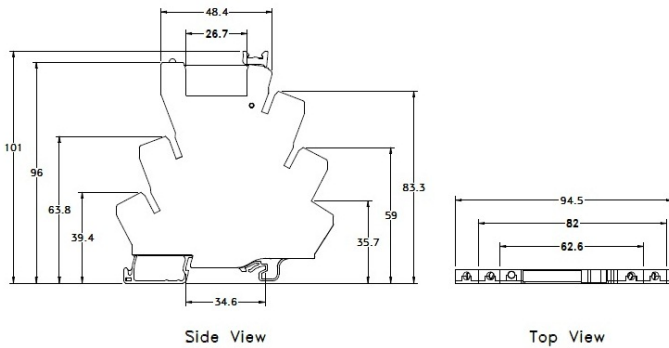
Protection Degree:IP20  
Pollution Degree:2  
Over voltage/Surge voltage category-III  
Relay operating time  $\leq 8$  (msec)  
Relay release time  $\leq 10$ (msec)

Dielectric Strength:  
1)Between contacts and coil- 4kV AC (50Hz, 1min)  
2)Between contact sets- 2kV AC(50Hz, 1min)  
3)Between open contacts-1kV AC(50Hz, 1min)  
4)Between Live parts /DIN rail-2kV AC (50Hz, 1min)

Insulation resistance: 1000M ohm@500VDC

Connection wires/ Conductors: 60/75 degC Copper conductor

**PRODUCT DRAWING**



**CIRCUIT DIAGRAM**

