

# IMMR2SS1/24



## DIN RAIL Mountable 2CO 24VDC Modular Relay Module

- Pitch: 15.6 mm
- High Switching current: up to 8A at 250VAC
- Power consumption: 400 mW
- LED indication on coil activation.
- Easy to replace pluggable relays.
- Available with 1 CO and 2 CO relays
- Available in both AC and DC Coil Voltages.
- Free-wheeling diode protection for relay coil.

### TECHNICAL DATA

Signal on Indication	3mm Red LED
Ambient Operating Temperature	-40 to 70 °C
Mounting Possibility	DIN 35/DIN 35-15 Rail
Housing Material	PA66 + GF V0 Grade
Housing Colour	Black

### RELAY INPUT / COIL SPECIFICATIONS

Nominal Operating Voltage	24 VDC
Maximum Operating Voltage	26.4 VDC
Must Operate Voltage	16.8 VDC
Must Release Voltage	2.40 VDC
Nominal Input Power	400 mW
Coil Resistance	1440 Ω

### RELAY OUTPUT/CONTACT SPECIFICATIONS

Contact Type	2 CO
Contact Material	AgNi
Contact Resistance	50 m ohms at 1A 24VDC
Rated Contact Current (Resistive Load)	8 A
Maximum Switching Voltage	440VAC/125 VDC
Maximum Switching Power	3000 VA

### CONNECTION SPECIFICATIONS

Type of Connection	Screw Connection
Max. Wire Size	2.5 mm <sup>2</sup>
Wire Stripping Length	7 mm
Torque	0.6 Nm

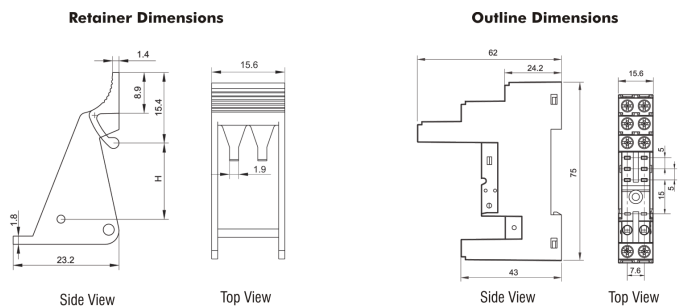
### ORDERING INFORMATION

CAT. NO.	DESCRIPTION	NO. OF CHN.	DIM. DET.	STD. PACK
IMMR2SS1/24	2CO 24VDC MODULAR RELAY MODULE DIN RAIL MOUNTABLE	1	15.6 X 75 X 62	10

### ACCESSORIES

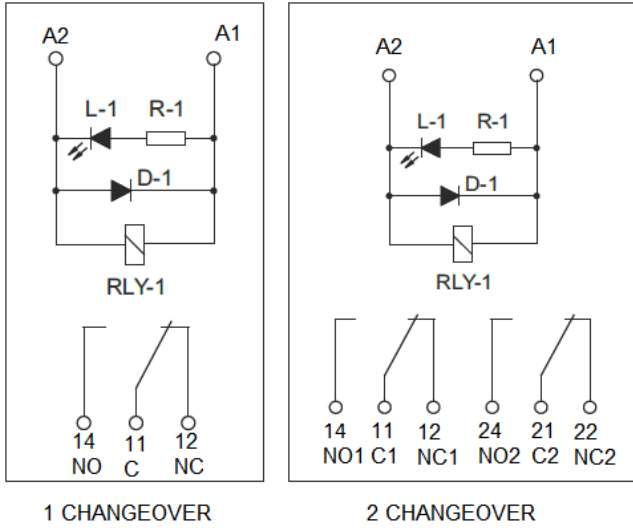
IMAGES	CAT. NO.	DESCRIPTION	STD. PACK
	CA701-1M	Din 35 Rail unslotted 1 meter	50
	CA701-2M	Din 35 Rail unslotted 2 meter	50
	CA701-2M-S	Din 35 Rail slotted 2 meter	50
	CA701-1M-S	Din 35 Rail slotted 1 meter	50
	CA701-15-1M	Din 35 Rail 15 deep unslotted 1 meter	50
	CA701-15-1M-S	Din 35 Rail 15 deep slotted 1 meter	50
	CA701-15-2M	Din 35 Rail 15 deep unslotted 2 meter	50
	CA701-15-2M-S	Din 35 Rail 15 deep slotted 2 meter	50
	CA509/K2	Marking Tag Blank suitable for CDL4U / CDL4U(I.S) / CTL2.5U / CTL2.5UH / CTL2.5UL / CTL2.5HUL / CTL2.5U(I.S) / CTL2.5U(I.S)D2 / CGMT4 / CSFL4U / CSFL4U(L) / CMT4 / CMB4 / ASF4 / ASF4(L) / CTS2.5(	100
	SCS0.5/3	Electricians Screwdriver for slotted screws	10
	IMACC/MR2S/24	2CO 24VDC MODULAR RELAY	1

### PRODUCT DRAWING





CIRCUIT DIAGRAM



NOTES

Rated Surge Voltage (Between coil & contacts) - 10KV (1.2 X 50us)  
Pollution Degree - II  
IP Protection - IP20

UL File NO for Relay - E134517  
UL File no for Socket - E253370