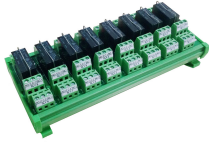


IMRE2SSxx/2 4



Relay Module 2CO 24VDC (DPDT)

- Relay Module For Industrial Suitability.
- Switching Current upto 5A at 250VAC (or 24VDC)
- Easy to replace Pluggable Relays.
- Possibility of Bussing (Jumpering) relays in common negative or common positive configurations.
- LED indication to denote relay actuation.
- Freewheeling diode at coil side.
- Mounting Options available: DIN Rail mounting & Panel mounting

TECHNICAL DATA

Bussing Possibility	By using spare jumpers.
Relay on Indication	3mm Red LED
Relay Protection Method	Using 1N4007 Free Wheeling Diode
Ambient Operating Temperature	-20to+50 °C
Mounting Possibility	DIN32 / DIN35 / DIN35-15 / PANEL
Housing Material	PVC / V0 Grade
Housing Colour	Green

RELAY INPUT / COIL SPECIFICATIONS

Nominal Operating Voltage	24 VDC
Maximum Operating Voltage	40.8 VDC
Must Operate Voltage	16.8 VDC
Must Release Voltage	2.4 VDC
Nominal Input Power	530 mW
Coil Resistance	1100 Ω

RELAY OUTPUT/CONTACT SPECIFICATIONS

Contact Type	DPDT- 2CO
Contact Material	AgSnO2
Rated Contact Current (Resistive Load)	5 A
Load Voltage Range	400 VAC, 300 VDC

CONNECTION SPECIFICATIONS

Type of Connection	Screw Connection
Min. Wire Size	0.5 mm ²
Max. Wire Size	2.5 mm ²
Min. Wire Size(AWG)	30 AWG
Max. Wire Size(AWG)	14 AWG
Wire Stripping Length	8.3 mm
Torque	0.5 Nm
Torque	4.5 lb-in

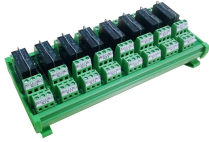
ORDERING INFORMATION

CAT. NO.	DESCRIPTION	NO. OF CHN.	DIM. DET.	STD. PACK
IMRE2SS1/2 4	2CO 1CH 24VDC Relay Module With Base (Pluggable Relay) Rail Mount	1	31 X 88 X 74	5
IMRE2SS2/2 4	2CO 2CH 24VDC Relay Module With Base (Pluggable Relay) Rail Mount	2	55 X 88 X 74	1
IMRE2SS4/2 4	2CO 4CH 24VDC Relay Module With Base (Pluggable Relay) Rail Mount	4	100 X 88 X 74	1
IMRE2SS8/2 4	2CO 8CH 24VDC Relay Module With Base (Pluggable Relay) Rail Mount	8	193 X 88 X 74	1
IMRE2SS12/ 24	2CO 12CH 24VDC Relay Module With Base (Pluggable Relay) Rail Mount	16	290 X 88 X 74	1
IMRE2SS16/ 24	2CO 16CH 24VDC Relay Module With Base (Pluggable Relay) Rail Mount	16	377 X 88 X 74	1
IMRE2S1/24	2CO 1CH 24VDC Relay Module With Soldered Relay Rail Mount	1	31 X 88 X 74	5
IMRE2S2/24	2CO 2CH 24VDC Relay Module With Soldered Relay Rail Mount	2	55 X 88 X 74	1
IMRE2S4/24	2CO 4CH 24VDC Relay Module With Soldered Relay Rail Mount	4	100 X 88 X 74	1
IMRE2S8/24	2CO 8CH 24VDC Relay Module With Soldered Relay Rail Mount	8	193 X 88 X 74	1
IMRE2S16/2 4	2CO 16CH 24VDC Relay Module With Soldered Relay Rail Mount	16	377 X 88 X 74	1

ACCESSORIES

IMAGES	CAT. NO.	DESCRIPTION	STD. PACK
	CA501-1M	Din 32 Rail unslotted 1 meter	50
	CA501-1M-S	Din 32 Rail slotted 1 meter	50
	CA501-2M	Din 32 Rail unslotted 2 meter	50
	CA501-2M-S	Din 32 Rail slotted 2 meter	50

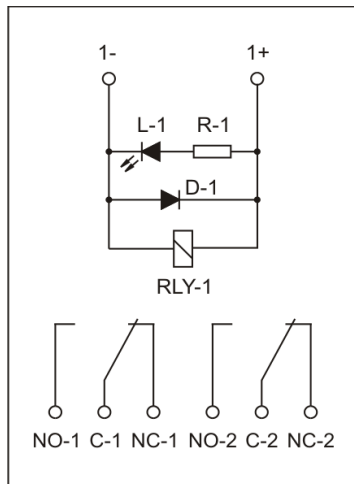
IMRE2SSxx/2
4



ACCESSORIES

IMAGES	CAT. NO.	DESCRIPTION	STD. PACK
	CA701-1M	Din 35 Rail unslotted 1 meter	50
	CA701-2M	Din 35 Rail unslotted 2 meter	50
	CA701-2M-S	Din 35 Rail slotted 2 meter	50
	CA701-1M-S	Din 35 Rail slotted 1 meter	50
	CA701-15-1M	Din 35 Rail 15 deep unslotted 1 meter	50
	CA701-15-1M-S	Din 35 Rail 15 deep slotted 1 meter	50
	CA701-15-2M	Din 35 Rail 15 deep unslotted 2 meter	50
	CA701-15-2M-S	Din 35 Rail 15 deep slotted 2 meter	50
	CA509/K2	Marking Tag Blank suitable for CDL4U / CDL4U(I.S) / CTL2.5U / CTL2.5UH / CTL2.5UL / CTL2.5HUL / CTL2.5U(I.S) / CTL2.5U(I.S)D2 / CGMT4 / CSFL4U / CSFL4U(L) / CMT4 / CMB4 / ASF4 / ASF4(L) / CTS2.5(100
	SCS0.5/3	Electricians Screwdriver for slotted screws	10
	IMACC/2CO/24DC	RELAY 2CO 24DC	10

CIRCUIT DIAGRAM



NOTES

* Module Lengths mentioned are for RAIL Mounting option only. The lengths may vary for PANEL Mounting.
** PANEL Mounting relay modules are available on request. Please use the suffix -P with the cat. no. for ordering.