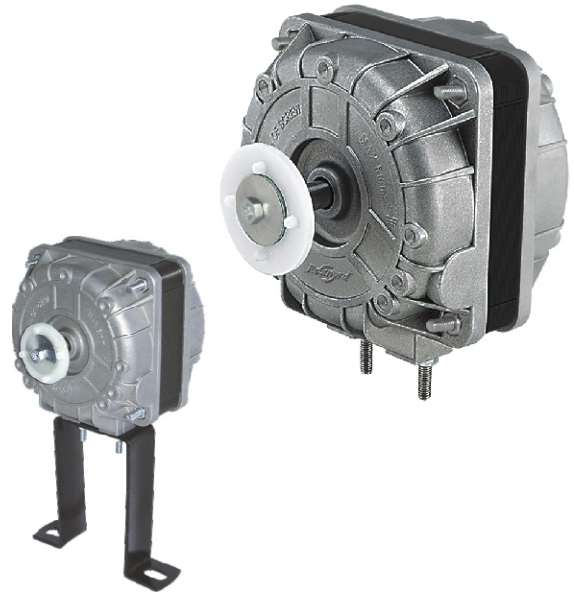


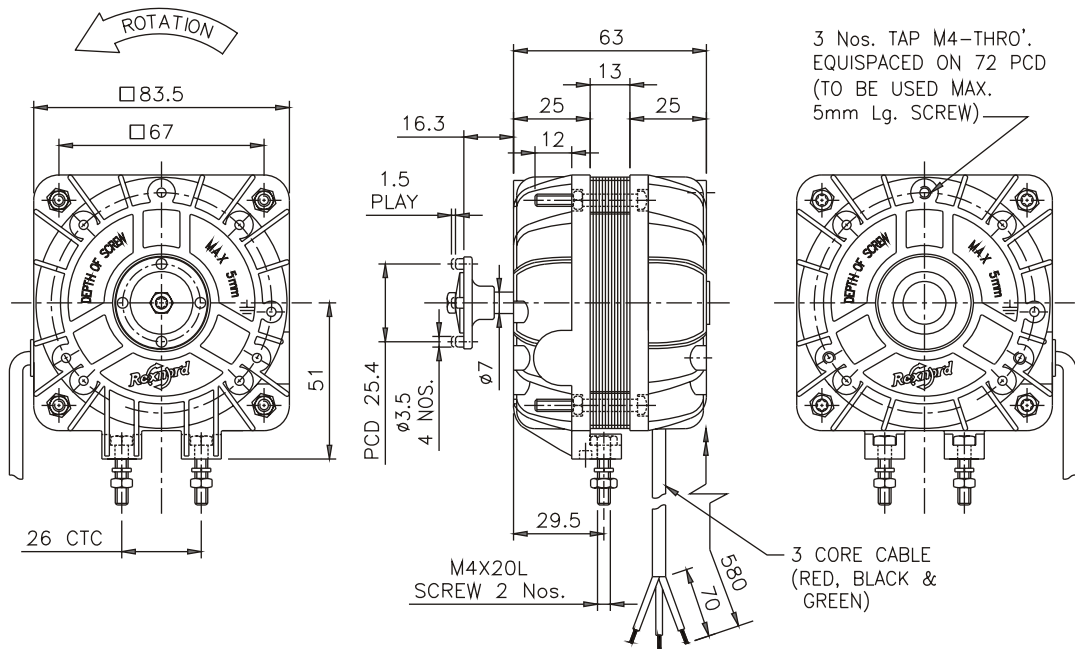
83 x 83 x 13 mm

- Motor Design : Shaded Pole Motor
- Housing : Aluminium Die-cast
- Bearing : Sleeve Bearing
- Operating Voltage : 115V (85 ~ 125 VAC)
230V (185 ~ 245 VAC)
- Dielectric Strength : AC 1500V for 1 minute
- Insulation : Class B
- Insulation Resistance : Above 100M Ohms at 500 VDC
- Connection : W = Lead Wire
- Motor Protection : Impedance Protected
- Direction of Rotation : CCW
- Operating Temperature : - 40 to + 40°C
- Net Weight : 860 Grams



Specification

Model	Bearing	Fan Blade	Degree Angle	Voltage	Frequency	Current	Input Power	Output Power	Speed	Air Flow
REC		Ø		V	Hz	A	W	W	RPM	CFM
8313 - 05 A1	Sleeve	154	34°	115	50 / 60	0.37 / 0.33	25 / 22	5	1300 / 1500	140
	Sleeve	200	28°	115	50 / 60	0.37 / 0.34	27 / 25	5	1300 / 1500	290
8313 - 05 A2	Sleeve	154	34°	230	50 / 60	0.17 / 0.15	25 / 22	5	1300 / 1500	140
	Sleeve	200	28°	230	50 / 60	0.17 / 0.16	27 / 26	5	1300 / 1500	290



* Specifications Subject to Change Without Notice