

**83 x 83 x 30 mm**

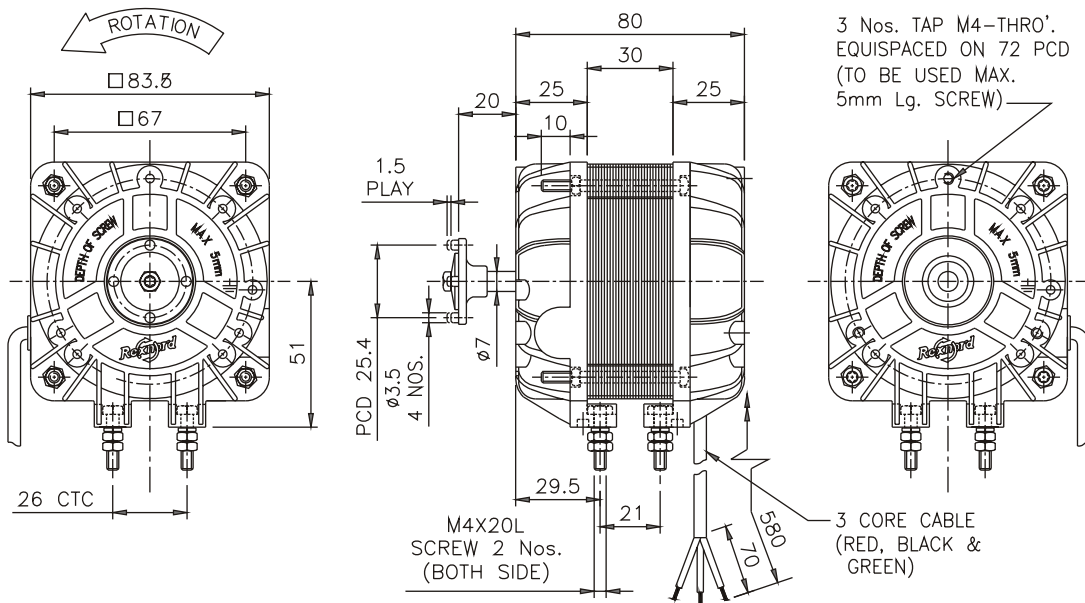
- Motor Design : Shaded Pole Motor
- Housing : Aluminium Die-cast
- Bearing : Sleeve Bearing
- Operating Voltage : 230V (185 - 245 VAC)
- Dielectric Strength : AC 1500V for 1 minute
- Insulation : Class B
- Insulation Resistance : Above 100M Ohms at 500 VDC
- Connection : Lead Wire
- \* **Feature** : Mounting 4 Legs
- Motor Protection : Thermal Protected
- Direction of Rotation : CCW
- Operating Temperature : - 40 to + 40°C
- Net Weight : 1570 Grams



**Specification**

Model	Bearing	Fan Blade	Degree Angle	Voltage	Frequency	Current	Input Power	Output Power	Speed	Air Flow
REC		Ø		V	Hz	A	W	W	RPM	CFM
8330 - 18 A2	Sleeve	230	34°	230	50 / 60	0.38 / 0.36	49 / 50	18	1300 / 1500	550
	Sleeve	254	28°	230	50 / 60	0.39 / 0.37	51 / 53	18	1300 / 1500	624

Note : Also Available in 115 VAC



\* Specifications Subject to Change Without Notice