

83 x 83 x 40 mm

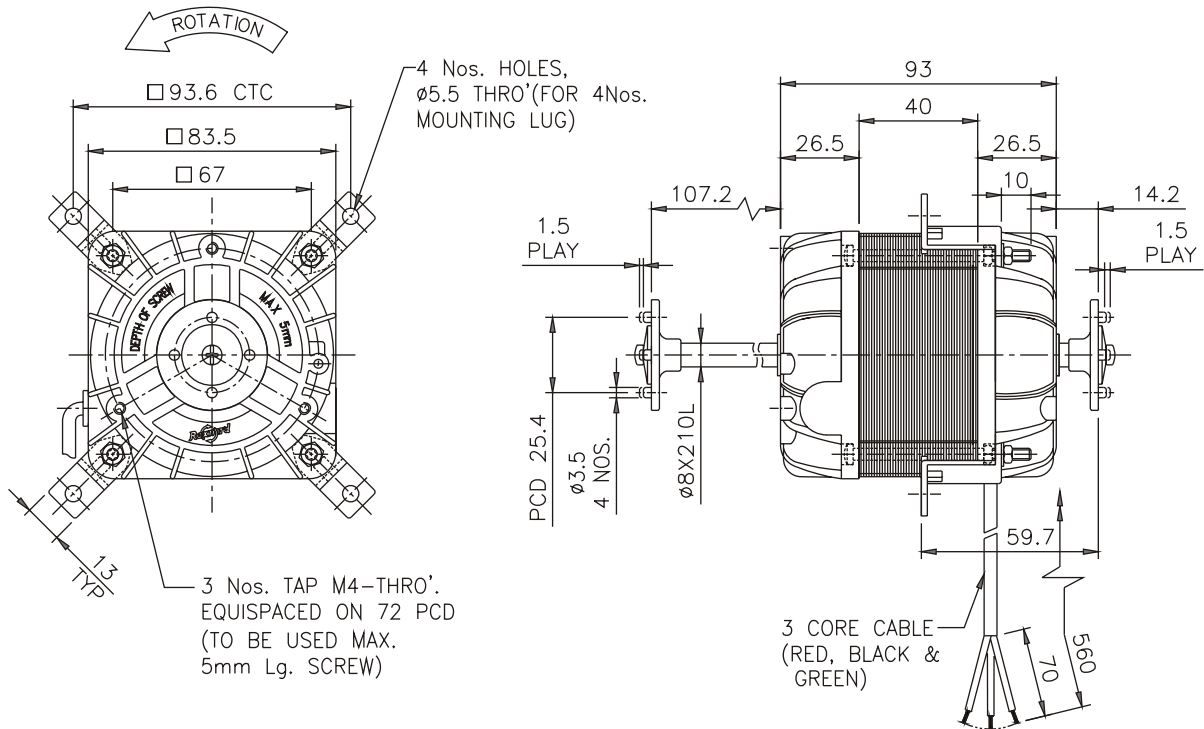
- Motor Design : Shaded Pole Motor
- Housing : Aluminium Die-cast
- Bearing : Ball Bearing
- Operating Voltage : 230V (185 - 245 VAC)
- Dielectric Strength : AC 1500V for 1 minute
- Insulation : Class B
- Insulation Resistance : Above 100M Ohms at 500 VDC
- Connection : Lead Wire
- * **Feature** : Mounting 4 Clamps & Double Shaft
- Motor Protection : Thermal Protected
- Direction of Rotation : CCW
- Operating Temperature : - 40 to + 40°C
- Net Weight : 2100 Grams



Specification

Model	Bearing	Fan Blade	Degree Angle	Voltage	Frequency	Current	Input Power	Output Power	Speed	Air Flow
REC		Ø		V	Hz	A	W	W	RPM	CFM
8340 - 25 B2 - 02	Ball	200 / 230	28°	230	50 / 60	0.46 / 0.42	55 / 57	25	1300 / 1500	300 / 350

Note : Mounted Impellor with Ø 200 mm on Front Side & Ø 230 mm on Rare Side of Motor



* Specifications Subject to Change Without Notice