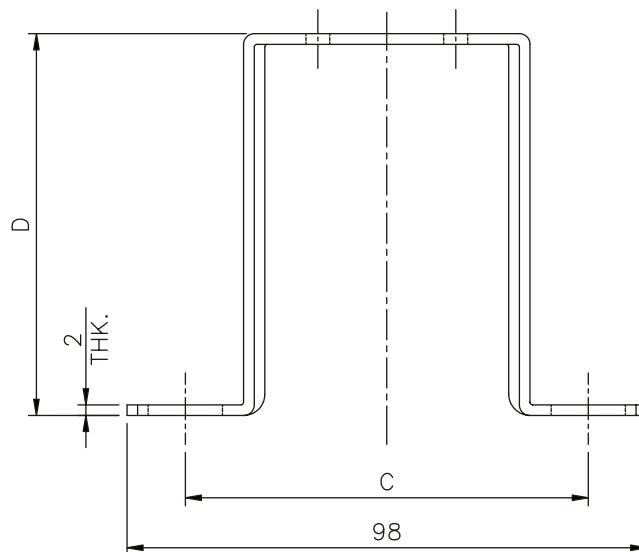
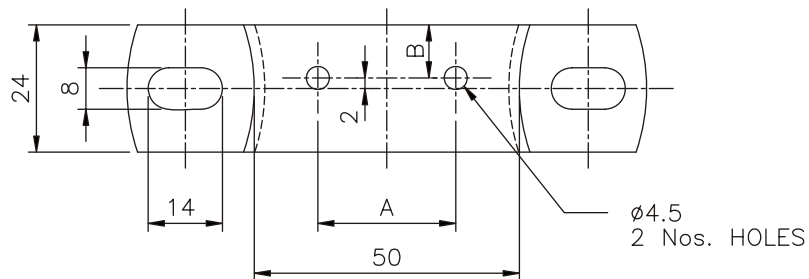




Mounting Stand - 2 Legs

METAL STAND	SUITABLE	ALUMINUM IMPELLOR	DIMENSION			
PART NO.	MODEL	Ø (mm)	A	B	C	D
MS 001	8313 - 05 A2	154 & 200	26	10	78	72
MS 002	8320 - 10 A2	200 & 230	26	10	78	84
MS 004	8325 - 16 A2	230 & 254	26	10	78	110
MS 004	8330 - 18 A2	230 & 254	26	10	78	110

\* ALL DIMENSIONS ARE IN MM



\* Specifications Subject to Change Without Notice