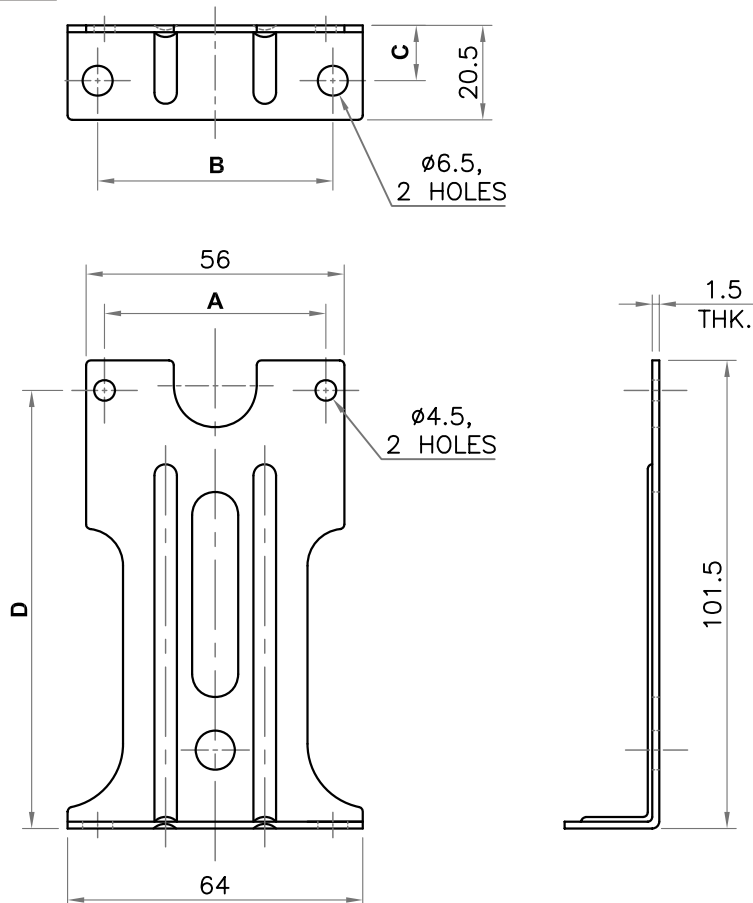




Mounting Stand Specification

METAL STAND	SUITABLE	ALUMINUM IMPELLOR	DIMENSION			
PART NO.	MODEL	Ø (mm)	A	B	C	D
FG - MS007	6110 A2	90 & 100 (Plastic)	48	51	12	95
FG - MS007	6120 A2	150 (Aluminium)	48	51	12	95
FG - MS007	6125 A2	150 (Plastic & Aluminium)	48	51	12	95

* ALL DIMENSIONS ARE IN MM



* Specifications Subject to Change Without Notice