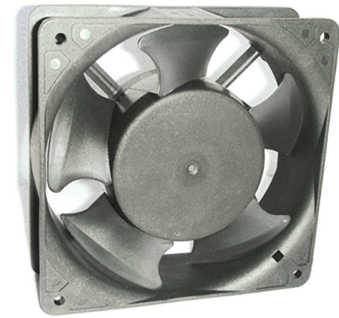




## EC Axial Fans

- Motor Design : EC Technology
- Housing : Plastic (PBT)
- Impellor : PBT (Polybutylene Terephthalate)
- Bearing : Sleeve
- Operating Voltage : 230V (185 - 245 VAC)
- Dielectric Strength : AC 500V for 1 minute
- Insulation : Class B
- Insulation Resistance : Above 10M Ohms at 500 VDC
- Connection : **W = Lead Wire**
- Motor Protection : Via Electronics
- Operating Temperature : - 10 to +70°C for Sleeve Bearing  
- 20 to +70°C for Ball Bearing
- Net Weight : 245 Grams (Plastic Housing)

**120 x 120 x 38 mm**

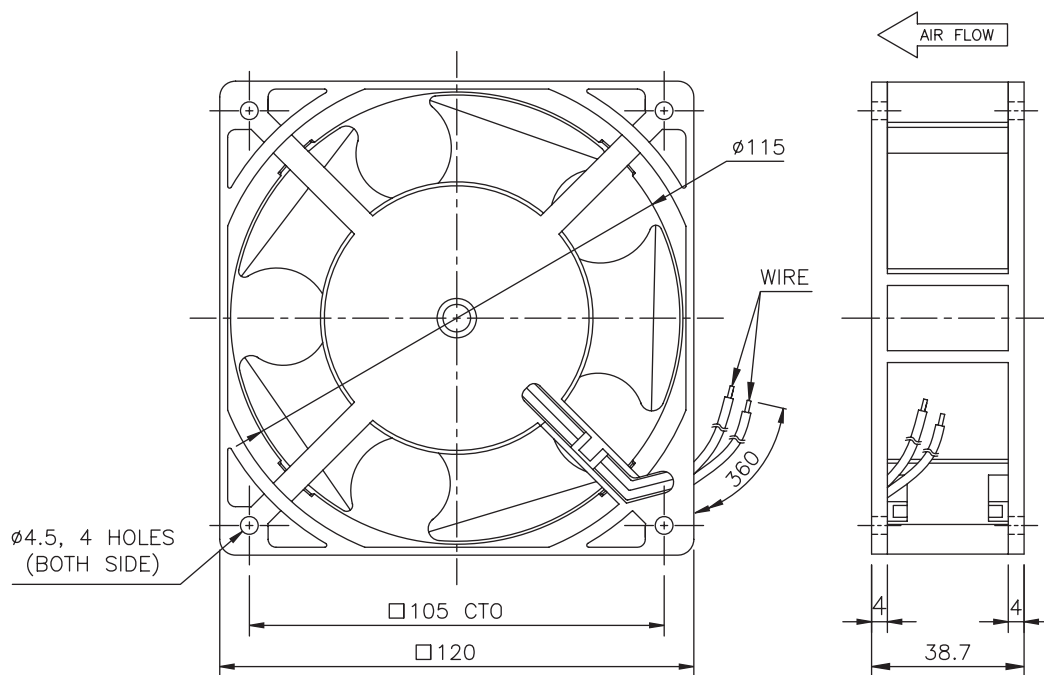


### Specification

Model	Bearing	Voltage	Frequency	Current	Input Power	Speed ±5 %	Air Flow	Static Pressure	Noise
EC		V	Hz	A	W	RPM	CFM	mm H <sub>2</sub> O	dB(A)
EC - 12038 A2 M W - 01	Sleeve	230	50/60	0.07	5.5	2700	105	7	43

**Note : \* 01 = Plastic Body M = Medium Speed W = Wire**

Also Available in 115 VAC



\* Specifications Subject to Change Without Notice