



EC Axial Fans

Motor Design	: EC Technology
Housing	: Aluminium Die-cast
Impellor	: Nylon 66
Bearing	: Sleeve or Ball Bearing
Operating Voltage	: 230V (185 - 245 VAC)
Dielectric Strength	: AC 500V for 1 minute
Insulation	: Class B
Insulation Resistance	: Above 10M Ohms at 500 VDC
Connection	: W = Lead Wire
Motor Protection	: Via Electronics
Operating Temperature	: - 10 to +70°C for Sleeve Bearing - 20 to +70°C for Ball Bearing
Net Weight	: 675 Grams

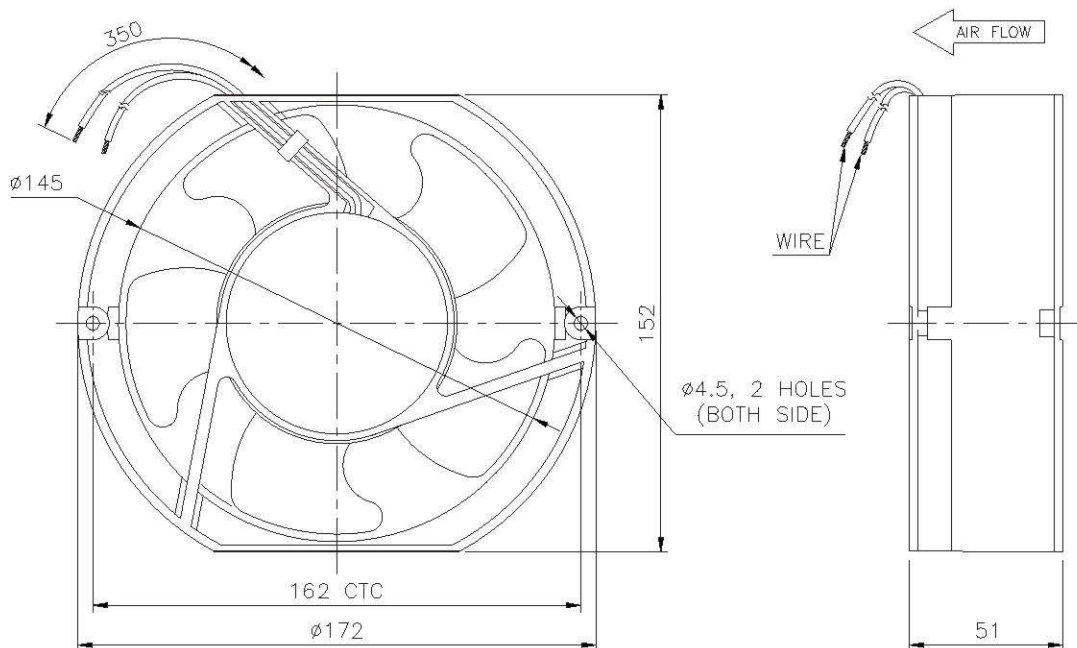
Ø 172 x 150 x 51 mm



Specification

Model	Bearing	Voltage	Frequency	Current	Input Power	Speed ±5 %	Air Flow	Static Pressure	Noise
EC		V	Hz	A	W	RPM	CFM	mm H ₂ O	dB(A)
EC- 17251 A2 M W	Sleeve	230	50/60	0.095	11	2900	215	9.7	55
EC- 17251 B2 M W	Ball	230	50/60	0.095	11	3000	222	10	57

Also Available in 115 VAC



* Specifications Subject to Change Without Notice