

**220 x 220 x 60 mm**

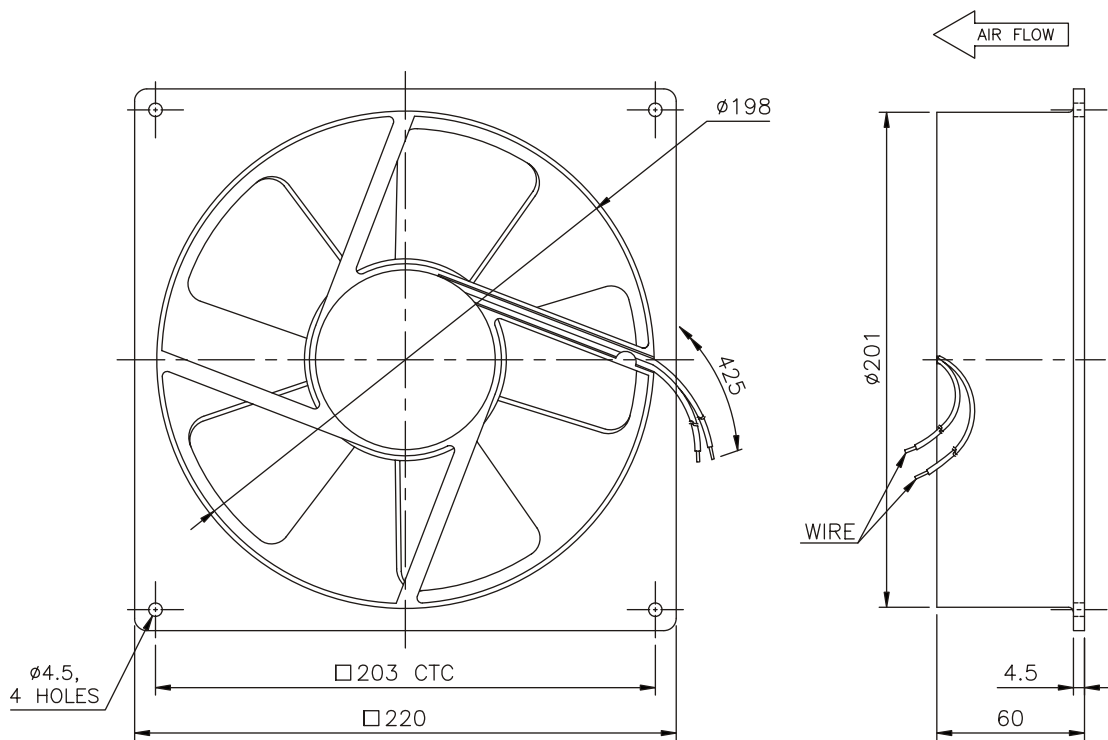
- Motor Design : Shaded Pole
- Housing : Aluminium Die - cast
- Impellor : Nylon 66
- Bearing : Sleeve or Ball Bearing
- Operating Voltage : 230V (185 - 245 VAC)
- Dielectric Strength : AC 1500V for 1 minute
- Insulation : Class B
- Insulation Resistance : Above 100M Ohms at 500 VDC
- Connection : W = Lead Wire
- Motor Protection : Impedance Protected
- Operating Temperature : - 10 to +70°C for Sleeve Bearing  
- 20 to +70°C for Ball Bearing
- Net Weight : 1325 Grams



**Specification**

Model	Bearing	Voltage	Frequency	Current	Input Power	Speed	Air Flow	Static Pressure	Noise
REC		V	Hz	A	W	RPM	CFM	mm H <sub>2</sub> O	dB(A)
22060 S A2 M W	Sleeve	230	50	0.40	62	2300	344	22	56
22060 S B2 M W	Ball	230	50	0.40	62	2400	360	22	56

Note : Also Available in 115 VAC



\* Specifications Subject to Change Without Notice