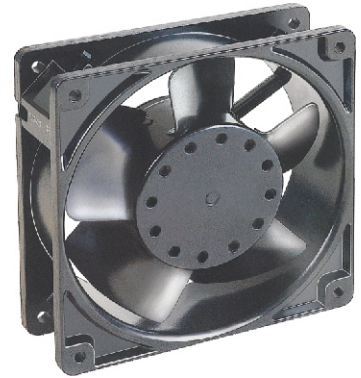


120 x 120 x 38 mm

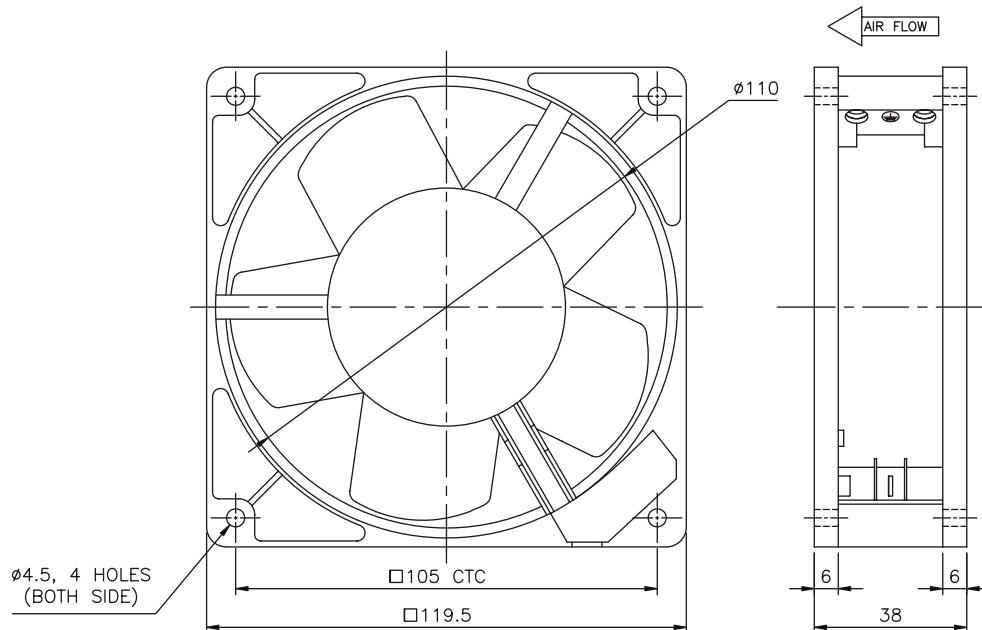
Motor Design	: Shaded Pole (External Rotor)
Housing	: Aluminium Die-cast
Impellor	: Metal
Bearing	: Ball Bearing
Operating Voltage	: 230V (185 - 245 VAC)
Dielectric Strength	: AC 1500V for 1 minute
Insulation	: Class B
Insulation Resistance	: Above 100M Ohms at 500 VDC
Connection	: Terminal
Motor Protection	: Impedance Protected
Operating Temperature	: - 20 to +70°C
Net Weight	: 530 Grams



Specification

Model	Bearing	Voltage	Frequency	Current	Input Power	Speed	Air Flow	Static Pressure	Noise
REC		V	Hz	A	W	RPM	CFM	mm H ₂ O	dB(A)
12038 B2 H T - MB	Ball	230	50/60	0.13 / 0.10	20/17	2700 / 3000	106/120	7.6/7.0	41/45

Note : Also Available in 115 VAC



* Specifications Subject to Change Without Notice