

**172 x 150 x 55 mm**

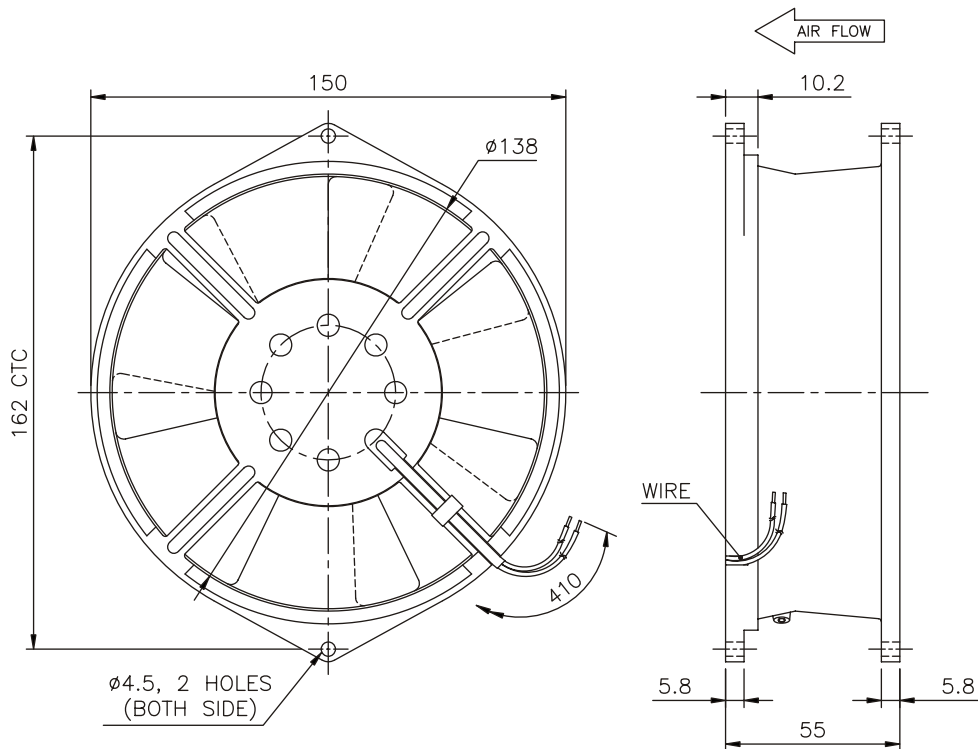
- Motor Design : Shaded Pole (External Rotor)
- Housing : Aluminium Die-cast
- Impellor : Metal
- Bearing : Ball Bearing
- Operating Voltage : 230V (185 - 245 VAC)
- Dielectric Strength : AC 1500V for 1 minute
- Insulation : Class B
- Insulation Resistance : Above 100M Ohms at 500 VDC
- Connection : Lead Wire
- Motor Protection : Impedance Protected
- Operating Temperature : - 20 to +70°C
- Net Weight : 1000 Grams



**Specification**

Model	Bearing	Voltage	Frequency	Current	Input Power	Speed	Air Flow	Static Pressure	Noise
REC		V	Hz	A	W	RPM	CFM	mm H <sub>2</sub> O	dB(A)
15055 B2 H W - MB	Ball	230	50/60	0.27/0.22	40/36	2750/3100	200/240	13.0/15.5	50/53

Note : Also Available in 115 VAC



\* Specifications Subject to Change Without Notice