

AC AXIAL FANS METAL BLADE

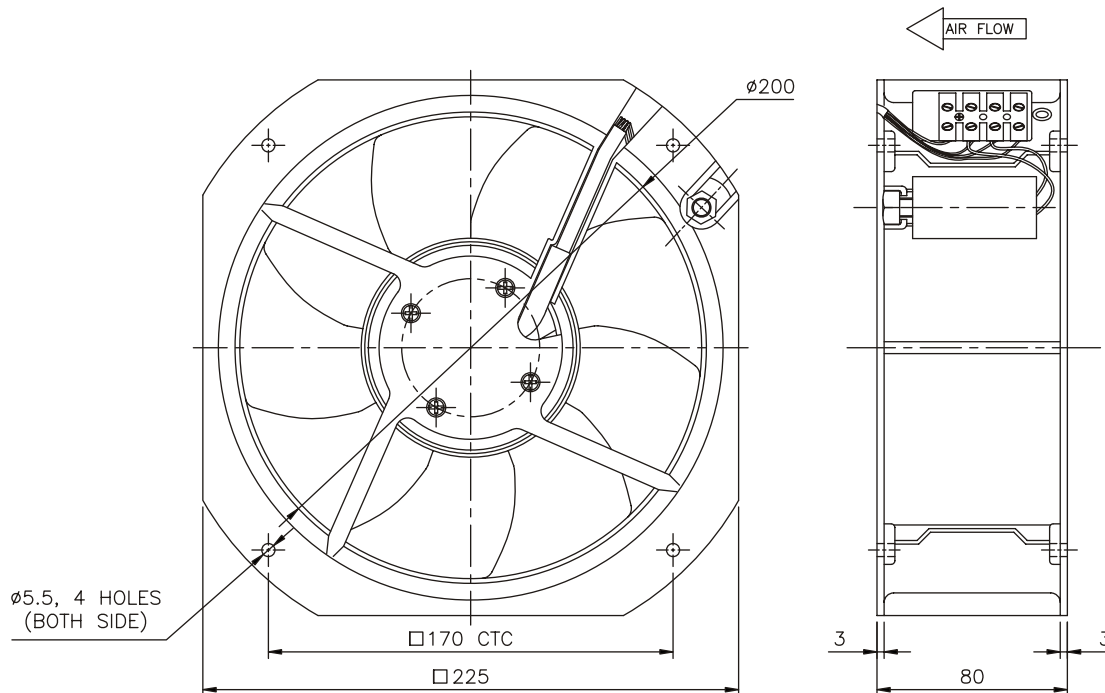
225 x 225 x 80 mm

Motor Design : External Rotor with Capacitor Driven Motor
 Housing : Aluminium Die-cast
 Impellor : Metal
 Bearing : Ball Bearing
 Operating Voltage : 230V (185 - 245 VAC)
 Dielectric Strength : AC 1500V for 1 minute
 Insulation : Class F
 Insulation Resistance : Above 100M Ohms at 500 VDC
 Connection : Terminal PA - 10
 Operating Temperature : - 20 to +80°C
 Net Weight : 2200 Grams (2.2 Kg)



Specification

Model	Bearing	Voltage	Frequency	Current	Input Power	Speed	Air Flow	Static Pressure	Noise
REC		V	Hz	A	W	RPM	CFM	mm H ₂ O	dB(A)
22580 B2 H W - MB - C	Ball	230	50/60	0.28/0.31	62/72	2450 / 2750	540/596	14	59/61



* Specifications Subject to Change Without Notice