

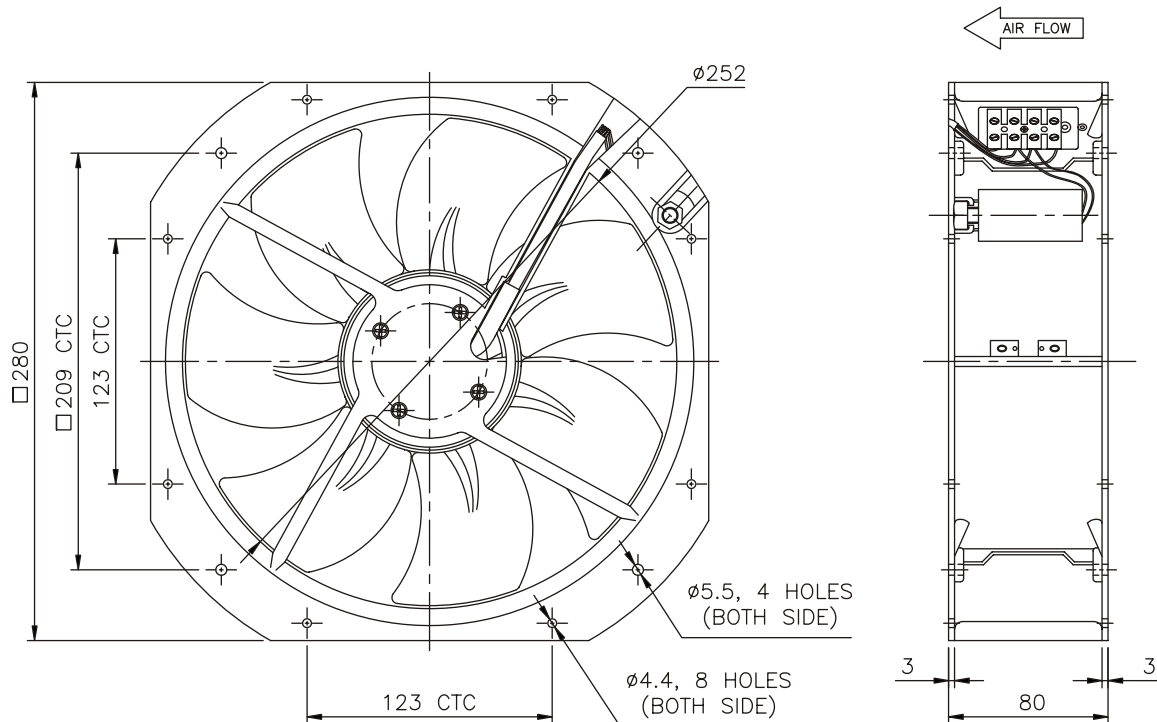
**280 x 280 x 80 mm**

- Motor Design : External Rotor with Capacitor Driven Motor
- Housing : Aluminium Die-cast
- Impellor : Metal
- Bearing : Ball Bearing
- Operating Voltage : 230V (185 - 245 VAC)
- Dielectric Strength : AC 1500V for 1 minute
- Insulation : Class F
- Insulation Resistance : Above 100M Ohms at 500 VDC
- Connection : Terminal PA - 10
- Operating Temperature : - 20 to +80 °C
- Net Weight : 2900 Grams (2.9 Kg)



**Specification**

| Model                 | Bearing | Voltage | Frequency | Current   | Input Power | Speed     | Air Flow  | Static Pressure     | Noise |
|-----------------------|---------|---------|-----------|-----------|-------------|-----------|-----------|---------------------|-------|
| REC                   |         | V       | Hz        | A         | W           | RPM       | CFM       | mm H <sub>2</sub> O | dB(A) |
| 28080 B2 H W - MB - C | Ball    | 230     | 50/60     | 0.40/0.56 | 100/122     | 2540/2840 | 1060/1150 | 14                  | 68/70 |



\* Specifications Subject to Change Without Notice