

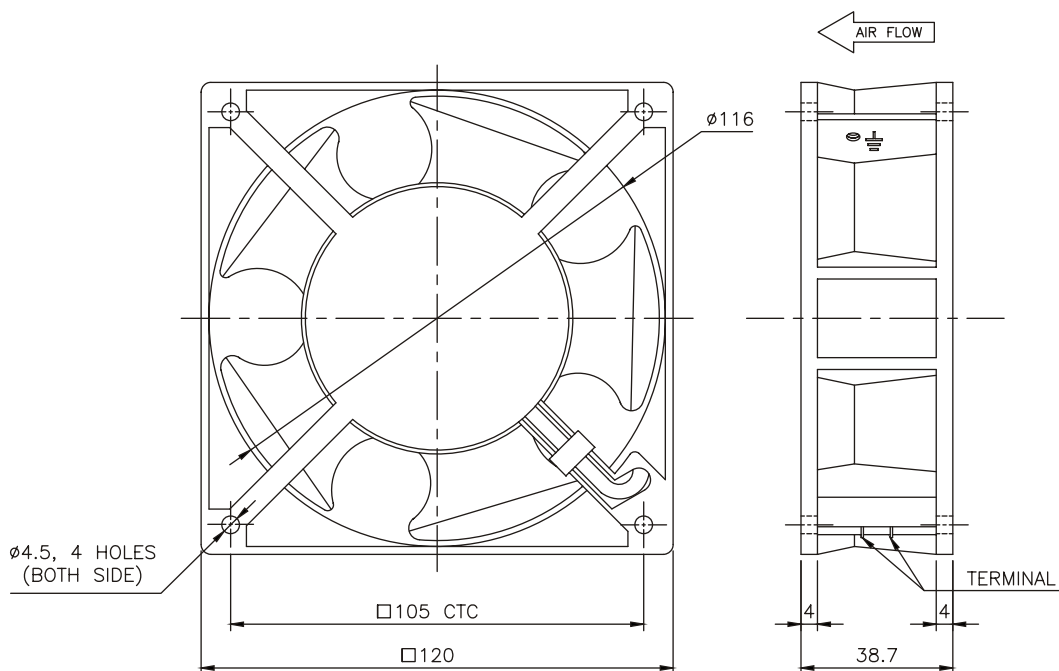
120 x 120 x 38 mm

Motor Design	: Shaded Pole
Housing	: Aluminium Die-cast
Impellor	: PBT (Polybutylene Terephthalate)
Bearing	: Sleeve or Ball Bearing
Operating Voltage	: 115V (85 ~ 125 VAC) 230V (185 ~ 245 VAC)
Dielectric Strength	: AC 1500V for 1 minute
Insulation	: Class B
Insulation Resistance	: Above 100M Ohms at 500 VDC
Connection	: T = Terminal
Motor Protection	: Impedance Protected
Operating Temperature	: - 10 to +70°C for Sleeve Bearing - 20 to +70°C for Ball Bearing
Net Weight	: 510 Grams



Specification

Model	Bearing	Voltage	Frequency	Current	Input Power	Speed	Air Flow	Static Pressure	Noise
REC		V	Hz	A	W	RPM	CFM	mm H ₂ O	dB(A)
22038 A1 M T	Sleeve	115	50/60	0.23/0.19	16/15	2650/2900	85/110	6.4/7.6	43/48
22038 B1 M T	Ball	115	50/60	0.23/0.19	16/15	2700/3000	90/115	6.8/8.0	43/48
22038 A2 M T	Sleeve	230	50/60	0.13/0.11	20/17	2650/2900	85/110	6.4/7.6	43/48
22038 B2 M T	Ball	230	50/60	0.13/0.11	20/17	2700/3000	90/115	6.8/8.0	43/48



* Specifications Subject to Change Without Notice