

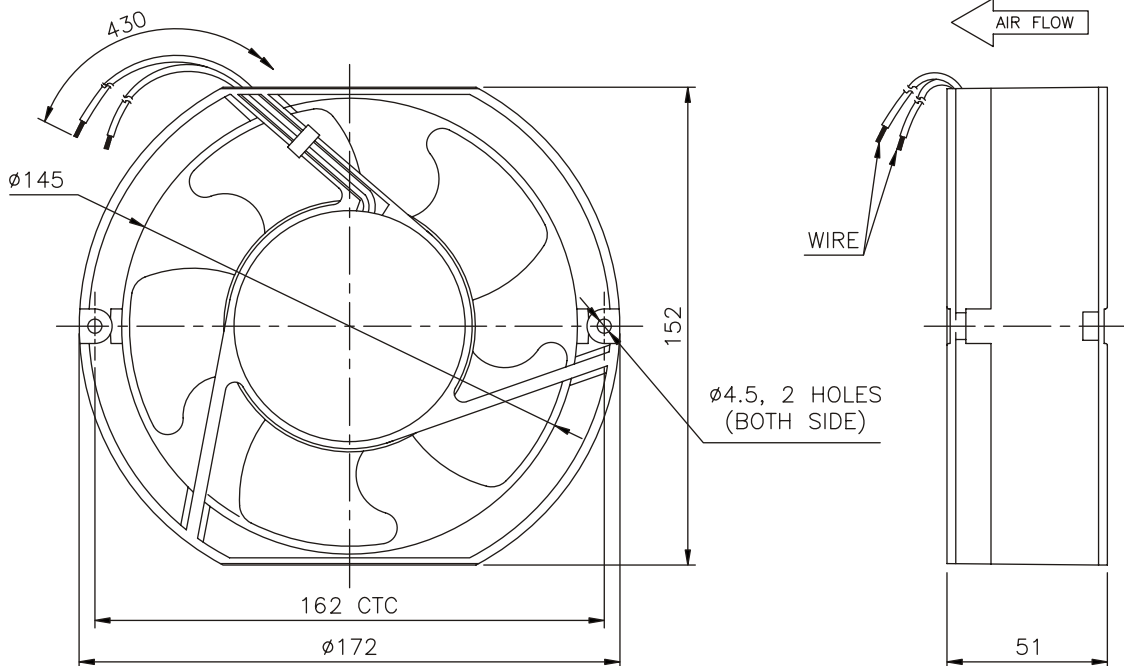
**Ø 172 x 150 x 51 mm**

- Motor Design : Shaded Pole
- Housing : Aluminium Die - cast
- Impellor : Nylon 66
- Bearing : Sleeve or Ball Bearing
- Operating Voltage : 115V (85 ~ 125 VAC)  
230V (185 ~ 245 VAC)
- Dielectric Strength : AC 1500V for 1 minute
- Insulation : Class B
- Insulation Resistance : Above 100M Ohms at 500 VDC
- Connection : W = Lead Wire
- Motor Protection : Impedance Protected
- Operating Temperature : - 10 to +70°C for Sleeve Bearing  
- 20 to +70°C for Ball Bearing
- Net Weight : 850 Grams



**Specification**

Model	Bearing	Voltage	Frequency	Current	Input Power	Speed	Air Flow	Static Pressure	Noise
REC		V	Hz	A	W	RPM	CFM	mm H <sub>2</sub> O	dB(A)
21725 A1 M W	Sleeve	115	50/60	0.47/0.42	34/32	2600/2800	180/205	12.2/9.7	52/55
21725 B1 M W	Ball	115	50/60	0.47/0.42	34/32	2650/2900	190/215	12.2/9.7	52/55
21725 A2 M W	Sleeve	230	50/60	0.21/0.19	32/30	2600/2300	180/160	12.2/9.7	52/55
21725 B2 M W	Ball	230	50/60	0.21/0.19	32/30	2650/2550	190/180	12.2/9.7	52/55



\* Specifications Subject to Change Without Notice