

Ø 220 x 60 mm

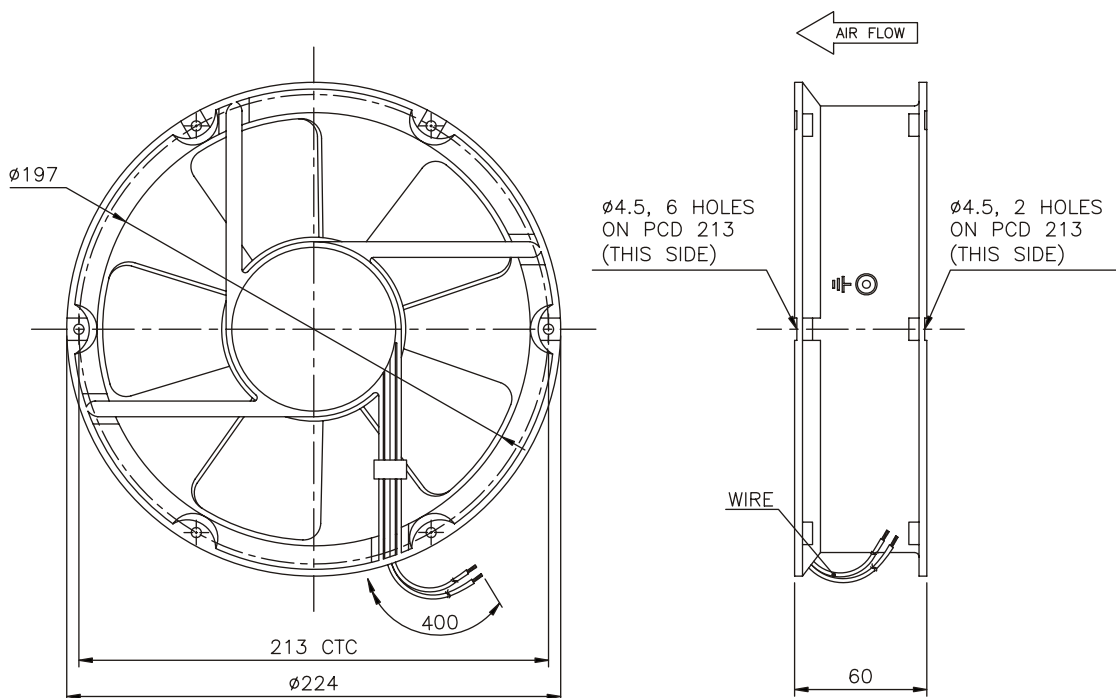
- Motor Design : Shaded Pole
- Housing : Aluminium Die-cast
- Impellor : Nylon 66
- Bearing : Ball Bearing
- Operating Voltage : 230V (185 - 245 VAC)
- Dielectric Strength : AC 1500V for 1 minute
- Insulation : Class B
- Insulation Resistance : Above 100M Ohms at 500 VDC
- Connection : W = Lead Wire
- Motor Protection : Impedance Protected
- Operating Temperature : - 20 to +70°C for Ball Bearing
- Net Weight : 1260 Grams



Specification

Model	Bearing	Voltage	Frequency	Current	Input Power	Speed	Air Flow	Static Pressure	Noise
REC		V	Hz	A	W	RPM	CFM	mm H ₂ O	dB(A)
22060 R B2 M W	Ball	230	50	0.40	62	2400	360	22	56

Note : Also Available in 115 VAC



* Specifications Subject to Change Without Notice